



CTC-24, CTC-36, CTC-48

Heavy-Duty Radiant Gas Countertop Charbroiler

Adcraft's radiant gas countertop charbroilers are designed for use with either natural or LP gas. Constructed of stainless steel front and sides that are fully welded, these units are able to stand the toughest of kitchen environments.



Standard Features

- Stainless steel front bullnose design and side construction that's fully welded for extra durability
- 20,000 BTU per burner
- One cast iron burner every 6" grate width
- Cast iron grill grates are reversible and height adjustable
- 4"-5" adjustable legs
- Separate gas valves for each burner with standing pilot ignition system
- Removable stainless steel drip tray for easy cleaning
- 3/4" rear NPT gas inlet
- Ships set up for natural gas and includes conversion regulator and kit for field conversion to propane
- ETL Sanitation

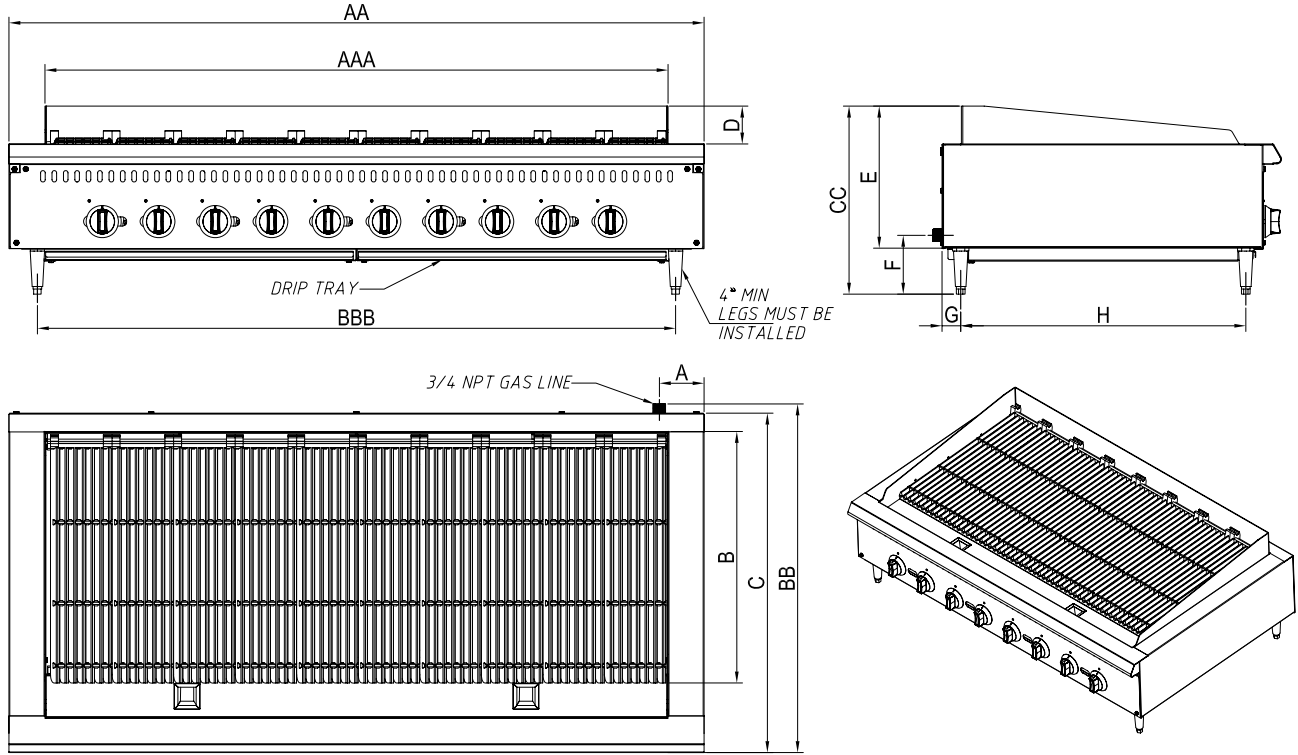
Warranty

Admiral Craft Equipment Corp. (Adcraft) warrants this product to be free of defects in materials and workmanship for period of 1 year from the date of original installation.



Model	Overall Width	Burners	Total BTU	Net Weight (lb)	Gross Weight (lb)
CTC-24	24"	4	80,000	209	243
CTC-36	36"	6	120,000	302	335
CTC-48	48"	8	160,000	388	421

The more you look, the better we look.



Unit Dimensions (inches)

Model	A	B	C	D	E	F	G	H	AAA	BBB	AA	BB	CC
CTC-24	3.75	21.75	30.5	3.25	12.25	5	1.5	24.5	21.5	22.75	24	30	16.25
CTC-36	3.75	21.75	30.5	3.25	12.25	5	1.5	24.5	32.3	33.6	36	30	16.25
CTC-48	3.75	21.75	30.5	3.25	12.25	5	1.5	24.5	43	43.25	48	30	16.25

Drip Tray (inches)

Model	Width	Depth	Height	Drip Tray Qty
CTC-24	21.25	24.5	0.75	1
CTC-36	32	24.5	0.75	1
CTC-48	21.25	24.5	0.75	2

Admiral Craft Equipment Corp.
 940 South Oyster Bay Rd.
 Hicksville, NY 11801
 P: 1-800-223-7750
 F: 1-800-447-7751
 www.admiralcraft.com

